

Reference Gages

Length Standards Brought to You by Mitutoyo

Digimatic Universal Protractor SERIES 187

- Data output function makes it easy to gather statistical data.
- Can be attached to height gages using a gage holder (**950750**, metric)
- Setting preset value.
- Removable blade.



Technical Data

- Battery: Lithium Battery
- Battery life: 2,000 hours

Function

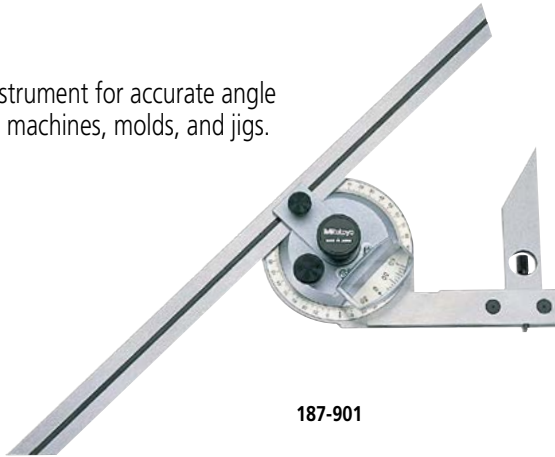
- Presetting

SPECIFICATIONS

Order No.	Blade length	Range	Resolution	Accuracy	Repeatability	Remarks (standard accessory)
187-501	150 mm	-360 ° to +360 °	1' (0.01 °)	±2' (±0.03 °)	1'	Height gage holder (950750)
187-502	300 mm					Height gage holder (950750)
187-551	6 in					Height gage holder (950749)
187-552	12 in					Height gage holder (950749)

Universal Bevel Protractor SERIES 187

- High-precision instrument for accurate angle measurement on machines, molds, and jigs.
- Graduation: 5'

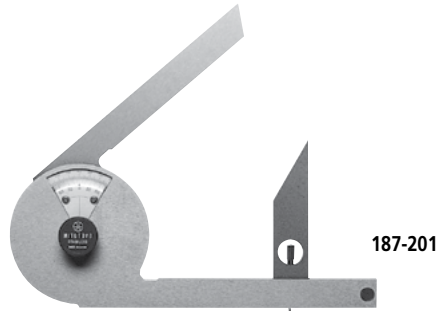


SPECIFICATIONS

Metric			Inch		
Order No.	Blade length (mm)	Remarks	Order No.	Blade length (in)	Remarks
187-901	150, 300	w/60°, 45°, 30° edges	187-902	6, 12	w/60°, 45°, 30° edges
187-907	150	w/60°, 45° edges	187-904	6	w/60°, 45° edges
187-908	300	w/60°, 45° edges	187-906	12	w/60°, 45° edges

Bevel Protractor SERIES 187

- Consists of three sheets of stainless steel, the middle one of which is made for angle measurements.



SPECIFICATIONS

Order No.	Blade length (mm)	Range	Graduation	Blade edge angle	Mass (g)	Remarks
187-201	137	90°x4 (360°)	5' (0° to 90° to 0°)	30° and 60°	260	w/60°, 30° edges